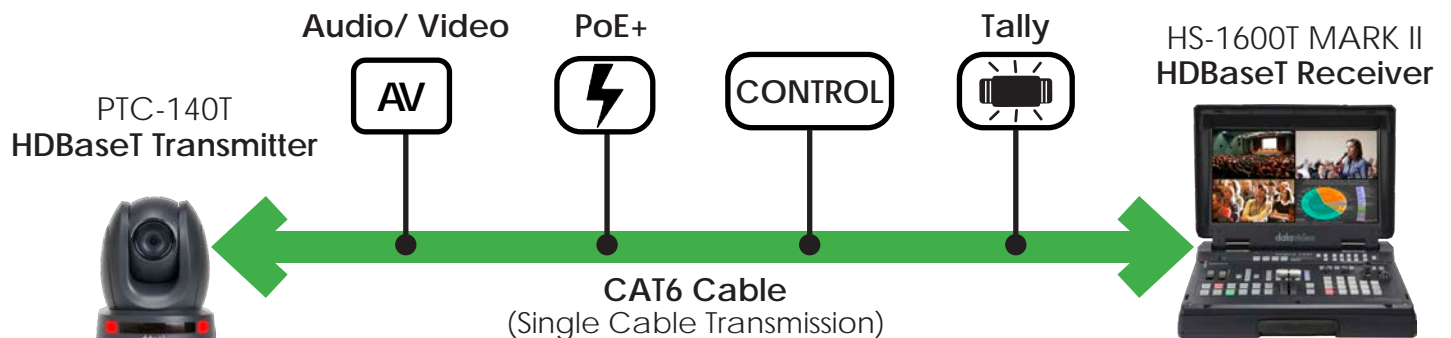


A Guide to HDBaseT Live Video Solutions



HDBaseT is a point-to-point, industry standard for the transmission of HD or 4K/60p video over standard CAT6 with PoE and device control.

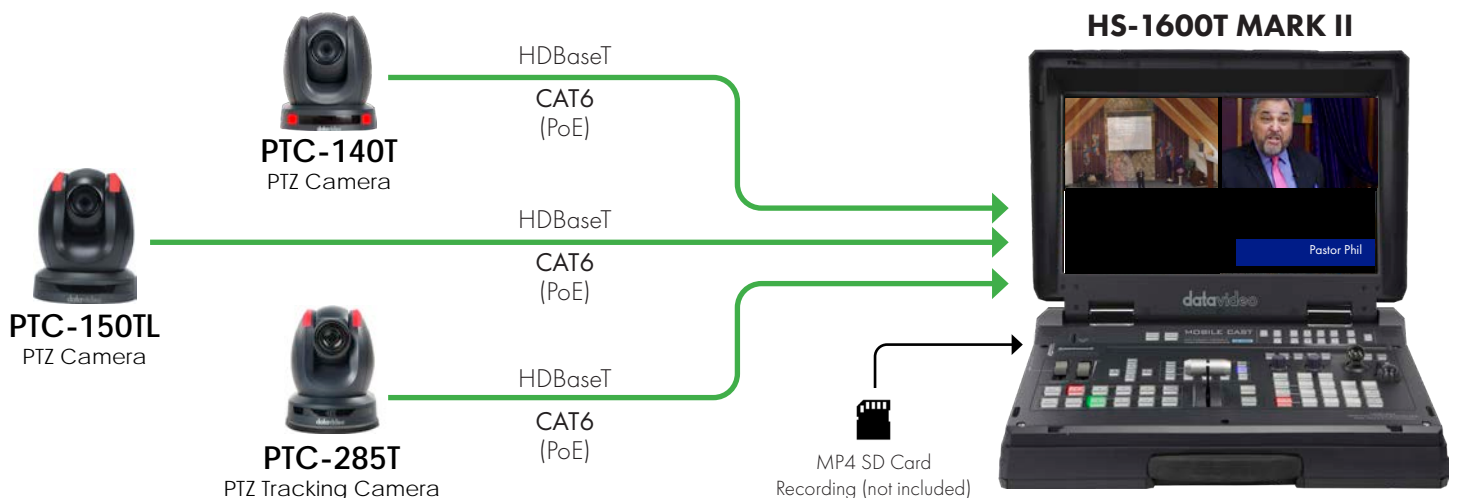
For HDBaseT to work properly, you need a transmitter on the video side (usually a camera) and a receiver on the other end to display the video.



Datavideo has 3 complete HDBaseT video workflows to make production easier to manage – without the need of a local network:

A Single Operator HDBaseT Switcher with Built-In Camera Control

The HS-1600T MARK II is an 4-channel HDBaseT video switcher with streaming, recording, and camera control in an all-in-one portable design. It supports 3 PTZ cameras with power, video signal, and control over a single CAT6 cable.



4K60p at 100 Meters

3-Channel HDBaseT Receiver

The HBT-30 supplies power, video signal, and camera control up to three devices. It also powers an HBT-15 transmitter box which can power a PTC-280 4K/60p PTZ Camera.



HBT-30 Front



HBT-30 Rear

How it Works

1. First, mount the camera to a truss or wall.
2. Then, connect the PTC-280 4K camera to the HBT-15.
3. Next, connect the HBT-15 to the HBT-30 using a Cat6 cable up to 100M/328 FT.
4. Lastly, connect Showcast 100 switcher to the HBT-30.

PTC-300
4K PTZ Camera



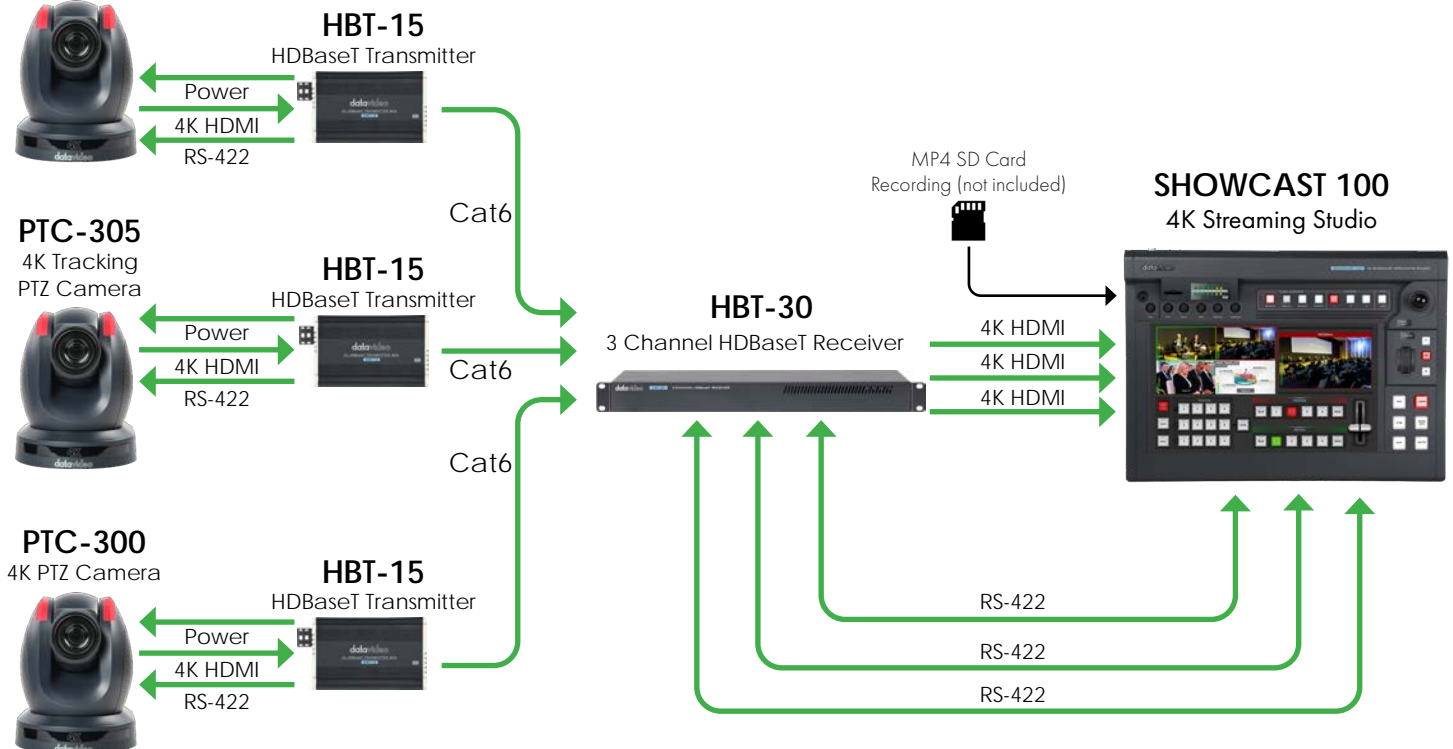
PTC-305
4K Tracking
PTZ Camera



PTC-300
4K PTZ Camera



4K HDBaseT 3-Camera Workflow



4-Channel HD-SDI Outputs

4-Channel HDBaseT Receiver

The HBT-50 supplies power, video signal, and camera control up to 4 devices up to 100 meters distance. It simultaneously outputs HDMI, SDI, RS-422 and IP control signals.



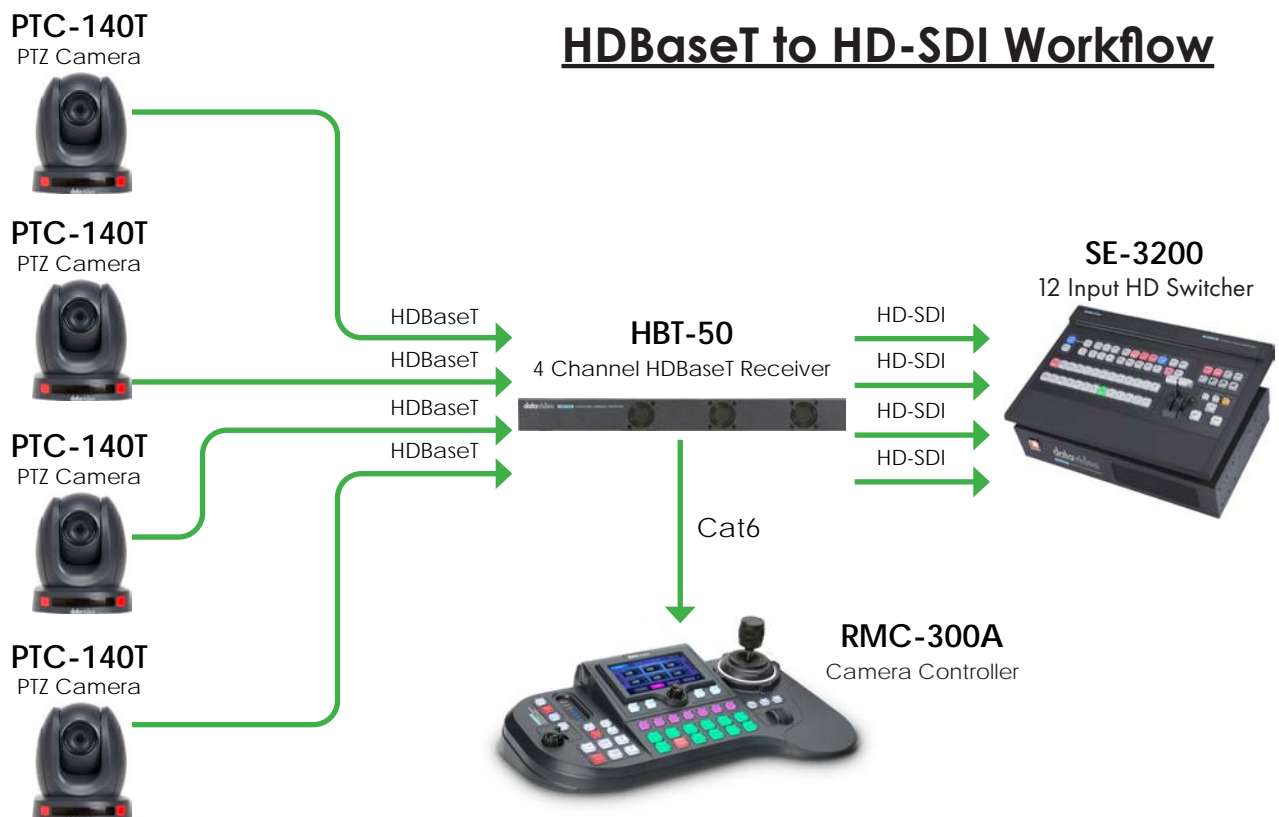
HBT-50 Front



HBT-50 Back

How it Works

1. First, mount the camera to a truss or wall.
2. Then, connect the four PTC-140T cameras to the HBT-50.
3. Next, connect the HBT-50 to the SE-3200 using a Cat6 cable up to 100M/328 FT.
4. Lastly, connect short SDI cables to the SE-3200 switcher and RMC-300A controller to the HBT-50.



Datavideo HDBaseT Transmitters



| Model | HBT-5 | HBT-15 | PTC-150TL | PTC-140T | PTC-285T | PTC-305T | PTR-10T |
|--------------------------------|------------------|--------------------------|------------------|----------------|---|---|-------------------|
| Max Resolution | 4K30p | 4K60p | 1080p59.94 | 1080p60 | 4K60p60 | 4K60p60 | 4K30p |
| Transmission Distance | 60m | 100m | 100m | 100m | 100m | 100m | 100m |
| Volts | 48v | 56v | 48v | 48v | 48v | 48v | 56v |
| Compatible Datavideo Receivers | HBT-6 | HBT-16 | ALL EXCEPT HBT-6 | ALL | HBT-6 HBT-11 HBT-12 HBT-30 HS-1600T MK II | HBT-6 HBT-11 HBT-12 HBT-30 HS-1600T MK II | HBT-11 HBT-12* |
| Control | RS-422 RS-232 | DVIP RS-422 RS-232 | DVIP RS-422 | DVIP RS-232 | DVIP RS-232 | DVIP RS-232 | DVIP RS-422 |
| MSRP | \$259 | \$649 | \$2,499 | \$1,299 | \$2,849 | \$3,199 | \$2,699 |

Datavideo HDBaseT Receivers



| Model | HBT-6 | HBT-11 | HBT-12 | HBT-16 | HBT-30 | HBT-50 | HS-1600T MARK II |
|-----------------------------------|------------------------|------------------------------|---|--------------------------|--------------------------|--|--|
| Max Resolution | 4K30p | 4K30p | 4K30p | 4K60p | 4K60p | 4K30p HDMI 1080p60 HD-SDI | 1080p60 |
| Volts | 48v | 48v | 56v | 56v | 56v | 100~240 VAC | 56v |
| Transmission Distance | 1080p 60m 4K30p 35m | 1080p 100m | 4K 100m | 4K 100m | 4K 100m | 1080p 100m | 1080p 100m |
| Compatible Datavideo Transmitters | HBT-5, PTC-140T | all except HBT-5, PTR-10T | HBT-5, PTC-140T, PTR-10T MKII, PTC-285T, PTC-305T | HBT-15 | HBT-15 | HBT-15, HBT-11, HBT-5, PTC-140T, PTC-150TL | PTC-140T, PTC-150TL, HBT-5, HBT-15, PTR-10T |
| Channels | 1 | 1 | 1 | 1 | 3 | 4 | 3 |
| SDI & HDMI Output Simultaneously | NO | NO | NO | NO | NO | YES | NO |
| Datavideo Camera Controllers | ALL | ALL | ALL | ALL | ALL | ALL | BUILT IN CONTROLLER |
| Control | RS-422 RS-232 | DVIP RS-422 RS-232 | DVIP RS-422 RS-232 | DVIP RS-422 RS-232 | DVIP RS-422 RS-232 | DVIP RS-422 RS-232 | RS-422 |
| MSRP | \$319 | \$449 | \$549 | \$699 | \$2,199 | \$2,749 | \$5,599 |